

Dual Band Wi-Fi USB Dongle

Yealink WF50 is a next-generation Wi-Fi USB Dongle, designed to allow users to select whether to connect to a 2.4GHz (150 Mbps) Wi-Fi network or a 5GHz (up to 433 Mbps) Wi-Fi network. With wireless connections transitting over the 5GHz band, users no longer need to worry about the interference from nearby wireless devices which may interfere with their wireless signal, guaranteeing high-quality connections perfect for establishing calls and HD video streaming.

This dynamic plug-and-play style USB device is equipped with WPA/WPA2 encryptions, providing your network with active defense against security threats. Besides, WF50 owns the ability to establish Wi-Fi connectivity easily, quickly, and reliably, so that users can optimally communicate, collaborate and more.

Yealink WF50 is compliant with IEEE 802.11a/b/g/n/ac standard, maximazing reliability and throughput.

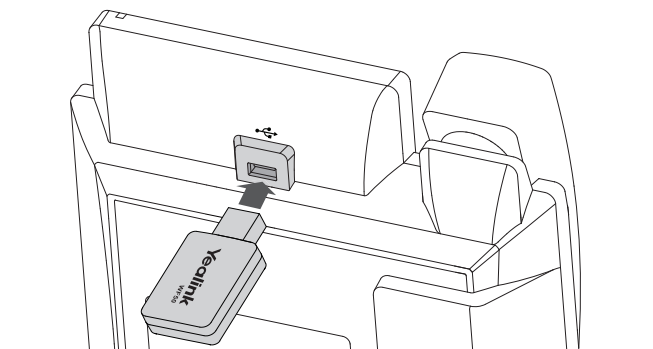


Key Features and Benefits

- > Compatible with Yealink SIP-T27G/T41S/T42S/T46S/T48S/T52S/T54S/T53 IP Phone (Version 84)
- > Dual-Band Connectivity
- > High Transmission Rate
- > Interference Free
- > Reliable Connection
- > Easy to Use
- > Plug and Play

Specifications

- > Network Standard: IEEE 802.11 a/n/ac, IEEE 802.11 b/g/n
- > Transmission Rate:
 - 5GHz:
 - 11ac: Up to 433Mbps(dynamic)
 - 11n: Up to 150Mbps(dynamic)
 - 11a: Up to 54Mbps(dynamic)
 - 2.4GHz:
 - 11n: Up to 150Mbps(dynamic)
 - 11g: Up to 54Mbps(dynamic)
 - 11b: Up to 11Mbps(dynamic)
- > Frequency Range: 2.4GHz/5GHz
- > OS Support: Linux, Android
- > Antenna Type: Integrated
- > Security: WEP, WPA/WPA2,WPA-PSK/WPA2-PSK, WPA2-Enterprise
- > Interface: USB 2.0
- > Operating Voltage: 5.0 V DC \pm 5%
- > Operating Voltage: 5.0 V DC \pm 5%
- > Dimensions (L*W*H): 52mm*27mm*8mm



- > Weight: 28 g
- > Operating Temperature: 0°C ~ +40°C (32°F ~ 104°F)
- > Storage Temperature: -30°C ~ +70°C (-22°F ~ 158°F)
- > Operating Humidity: 10% to 90% (Non-condensing)

Package Features

- > Package Content:
 - WF50
 - User Guide
- > Qty/CTN: 80 PCS
- > N.W/CTN: 1.70 kg
- > G.W/CTN: 2.20 kg
- > Giftbox Size: 136mm*70mm*40mm
- > Carton Meas: 443mm*305mm*285mm

Compliance



IC: 10741A-WF50

Learn More

To find out how Yealink solutions can help your organization, visit us at www.yealink.com or mail to sales@yealink.com

About Yealink

Yealink is a global leading provider of enterprise communication and collaboration solutions, offering video conferencing service to worldwide enterprises. Focusing on research and development, Yealink also insists on innovation and creation. With the outstanding technical patents of cloud computing, audio, video and image processing technology, Yealink has built up a panoramic collaboration solution of audio and video conferencing by merging its cloud services with a series of endpoints products. As one of the best providers in more than 140 countries and regions including the US, the UK and Australia, Yealink ranks No.1 in the global market share of SIP phone shipments.

Copyright

Copyright © 2019 YEALINK(XIAMEN) NETWORK TECHNOLOGY CO., LTD.

Copyright © 2019 Yealink(Xiamen) Network Technology CO., LTD. All rights reserved. No parts of this publication may be reproduced or transmitted in any form or by any means, electronic or mechanical, photocopying, recording, or otherwise, for any purpose, without the express written permission of Yealink(Xiamen) Network Technology CO., LTD.

Technical Support

Visit Yealink WIKI (<http://support.yealink.com/>) for firmware downloads, product documents, FAQ, and more. For better service, we sincerely recommend you to use Yealink Ticketing system (<https://ticket.yealink.com>) to submit all your technical issues.



YEALINK(XIAMEN) NETWORK TECHNOLOGY CO.,LTD.
Web: www.yealink.com
Addr: No.1 Ling-Xia North Road, High Tech Park,
Huli District, Xiamen, Fujian, P.R. China
Copyright©2019 Yealink Inc. All right reserved.